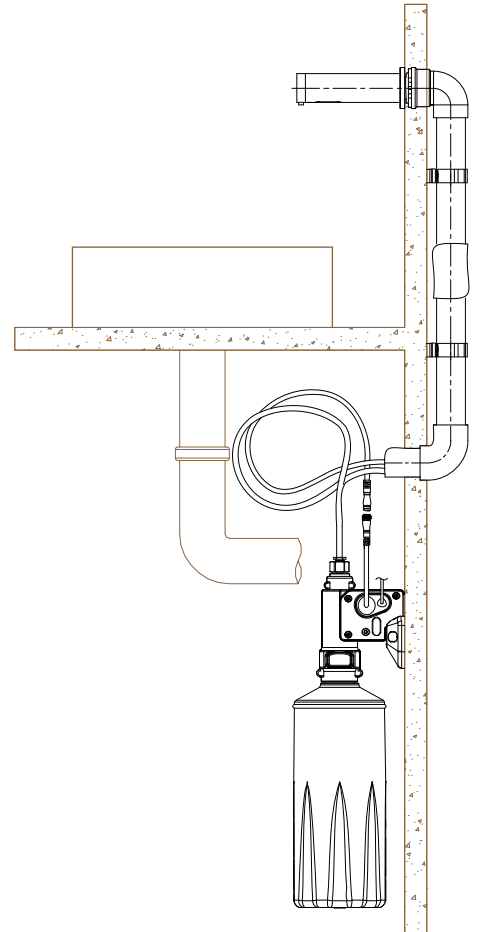
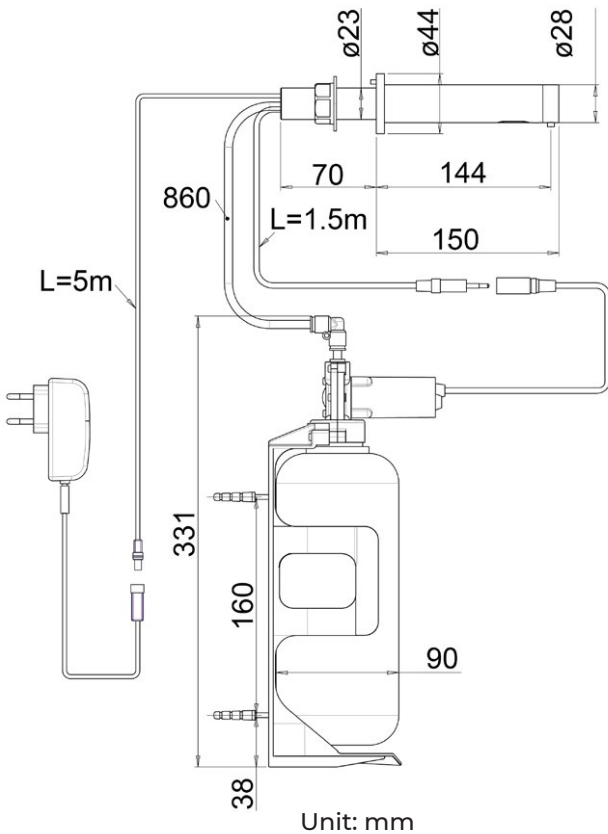
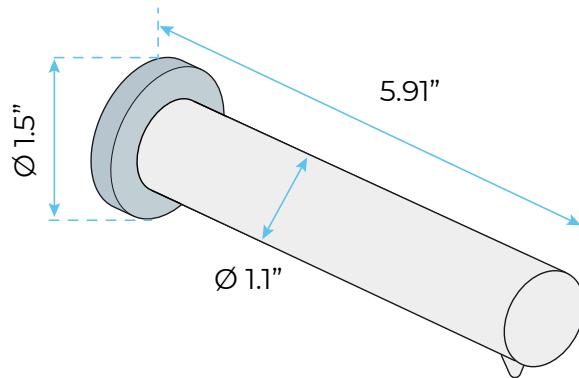


## COMMERCIAL ELECTRONIC SENSOR AUTOMATIC TOUCHLESS SOAP DISPENSER SPECIFICATIONS



Sensor : Infrared auto-adjustable  
 Spout length : 150 mm  
 Electrical supply : Transformer 230/12V or battery  
 Capacity : 1 L tank (6 L optional)  
 Soap : Liquid soap (viscosity 100 -3800 cPs)  
 Dosage : 0.7 to 0.9 cm<sup>3</sup> depending on soap viscosity  
 Pump : Peristaltic pump



All dimensions and specifications are nominal and may vary. Use actual products for accuracy in critical situations.